



GEB Enterprise S.r.l.

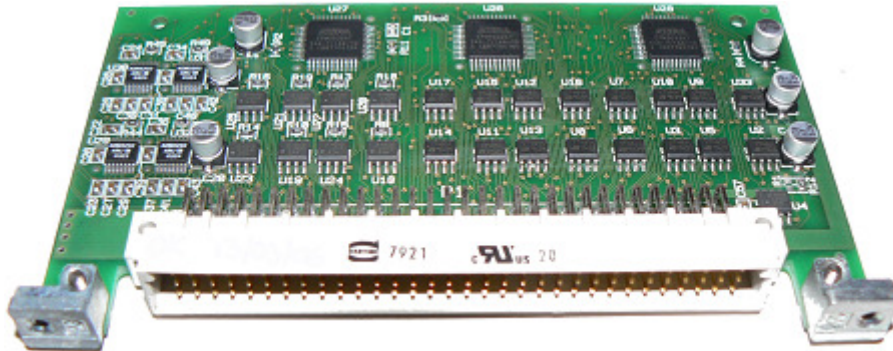
General Electronics Business

Via Rocca di Papa, 21 - 00179 Roma, Italy

Email: info@geb-enterprise.com - Web: www.gcb-enterprise.com

**Digital Modules for Boundary
Scan Parallel I/O Access**

Model: BSPIO-STDIF1688



Features

- 16 RS485/RS422 I/O channels for interface logic drive and sense
- 8 LVDS I/O channels for interface logic drive and sense
- 8 RS232 Input channels for interface logic sense
- 8 RS232 Output channels for interface logic drive
- High reliability DIN41612 I/O connector
- Reliable screw lock brackets
- Mechanical dimensions 122mm X 70mm
- 96 bit Boundary-scan Register Length
- Each segment can be independently bypassed
- Medium-speed 10MHz TCK for high reliability at the best cost/performance ratio
- Each RS485/RS422 or LVDS I/O pin is independently programmable for sense, drive, bi-directional, and tri-state operation
- Fully-compatible JTAG/IEEE 1149.1 Test Access Port (TAP)
- Operating power 3.3V, 5.0V
- Optional LVDS TCK interface can be used in large fixtures to avoid noise and skew problems.
- Full self test capability using internal loopback.

General Description

The BSPIO-STDIF1688 provides bi-directional parallel-scan access to up to 40 electrical nodes with various distinct interfaces for the driving and sensing of logic values. This module increases the effectiveness of boundary-scan testing, enabling verification of all board connectors and within logic clusters. The BSPIO-STDIF1688 is available in two basic versions, both of them compatible with standard DIN41612 female connectors in a test fixture. One version, the BSPIO-STDIF1688-A1, is primarily intended for test fixtures with few BSPIOs, and contains a standard TTL interface on the TAP's TCK signal. This module facilitates boundary-scan interconnection testing using direct connection to the JTAG/IEEE 1149.1 Test Access Port (TAP).

The other version, the BSPIO-STDIF1688-A2, is intended for test fixtures with many BSPIOs and contains a balanced LVDS interface on the TAP's TCK signal. This module facilitates boundary-scan interconnection testing using a small interface connection to a JTAG/IEEE 1149.1 TAP. Other low-end versions (ex: 16 channel RS422/R485) are derived from these two basic models. All BSPIO I/O interfaces (RS485/RS422, LVDS) have an internal loopback for self test capability, while input only and output only interfaces (RS232) are cross connected via a weak resistor to ensure the self test capability.

Functional Description

Test and programming application development tools from JTAG Technologies support automatic integration of the BSPIO-STDIF1688 with the target board design by adapter file. This allows the inputs and outputs of the BSPIO-STDIF1688 to be driven and sensed via boundary-scan RS232, RS485, RS422, LVDS interfaces on the target, thereby providing increased scan access. The 40 channels of the BSPIO are capable of operating at a 10 MHz TCK clock rate. The TAP interface available on the DIN41612 connector is the test access port for the module. It can be used to daisy-chain the module to other BSPIO modules (BSPIO-78TTLU, BSPIO-OPTO1212...) or to scan chain on the target board.

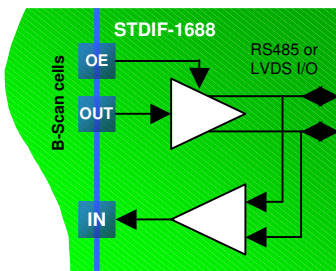


Fig.1 LVDS and RS485/422 I/O cells

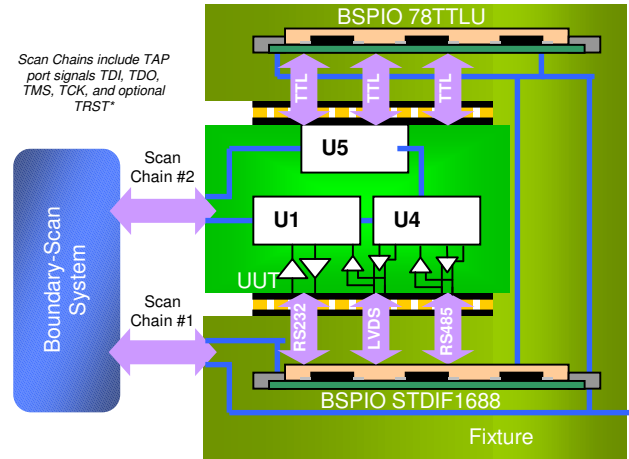


Fig.2 Use of the BSPIO-STDIF1688 on the Test Fixture

Specifications

Length of ID Register	32 bits per segment
Length of Boundary-scan Register	96 bits per segment, 3 segments
Maximum Shift Frequency	10MHz
Power Consumption	typ<60mA, max depending on the target IOH and IOL

DC Operating Conditions

RS485/RS422 I/O	-200mV<VTH/VTL<200mV VOD (50Ω)=2V IOZ=1μA
RS232 Input	VIL<0.8V VIH>2.4V
RS232 Output	-3.7v<Vo<+3.7V RL=3KΩ
LVDS I/O	1<VOS<1.65 VTH/VTL=±100mV
TAP (*1)	All VIL<0.8V VIH>2.0V
TAP TCK(*2)	1<VOS<1.65 VTH/VTL=±100mV

(*1) Not Applicable to TCK version A2

(*2) Applicable to TCK version A2

Ordering Information

GEB P.N. (*)	Description
BSPIO-STDIF1688-A1/A2	16 RS485 I/O, 8 LVDS I/O, 8 RS232 Input, 8 RS232 Output
BSPIO-STDIF1688-A3/A4	8 RS485 I/O, 4 LVDS I/O, 4 RS232 Input, 4 RS232 Output
BSPIO-STDIF1688-A5/A6	16 RS485 I/O only
BSPIO-STDIF1688-A7/A8	16 RS485 I/O, 4 LVDS I/O, 4 RS232 Input, 4 RS232 Output
BSPIO-STDIF1688-A9/A10	8 LVDS I/O only
BSPIO-STDIF1688-A11/A12	8 RS485 I/O, 4 RS232 Input, 4 RS232 Output
BSPIO-STDIF1688-A13/A14	16 RS485 I/O, 4 RS232 Input, 4 RS232 Output
BSPIO-STDIF1688-A15/A16	8 RS485 I/O only

(*) Odd-numbered versions (A1,A3...) have LVTTTL level on TCK input, Even numbered versions (A2,A4...) have balanced LVDS levels on TCK input



GEB Enterprise S.r.l.
General Electronics Business
 Via Rocca di Papa, 21 - 00179 Roma, Italy
 Phone: 06 7827464 Fax: 06 7806894
 Email: info@geb-enterprise.com
 Web: www.geb-enterprise.com

GEB Enterprise s.r.l. reserves the right to make changes in design or specification at any time without notice.

Document Rev. 0.6, Printed 17-10-2008 ©2008 GEB-Enterprise s.r.l.

All brand names or product names mentioned are trademarks or registered trademarks of their respective owners